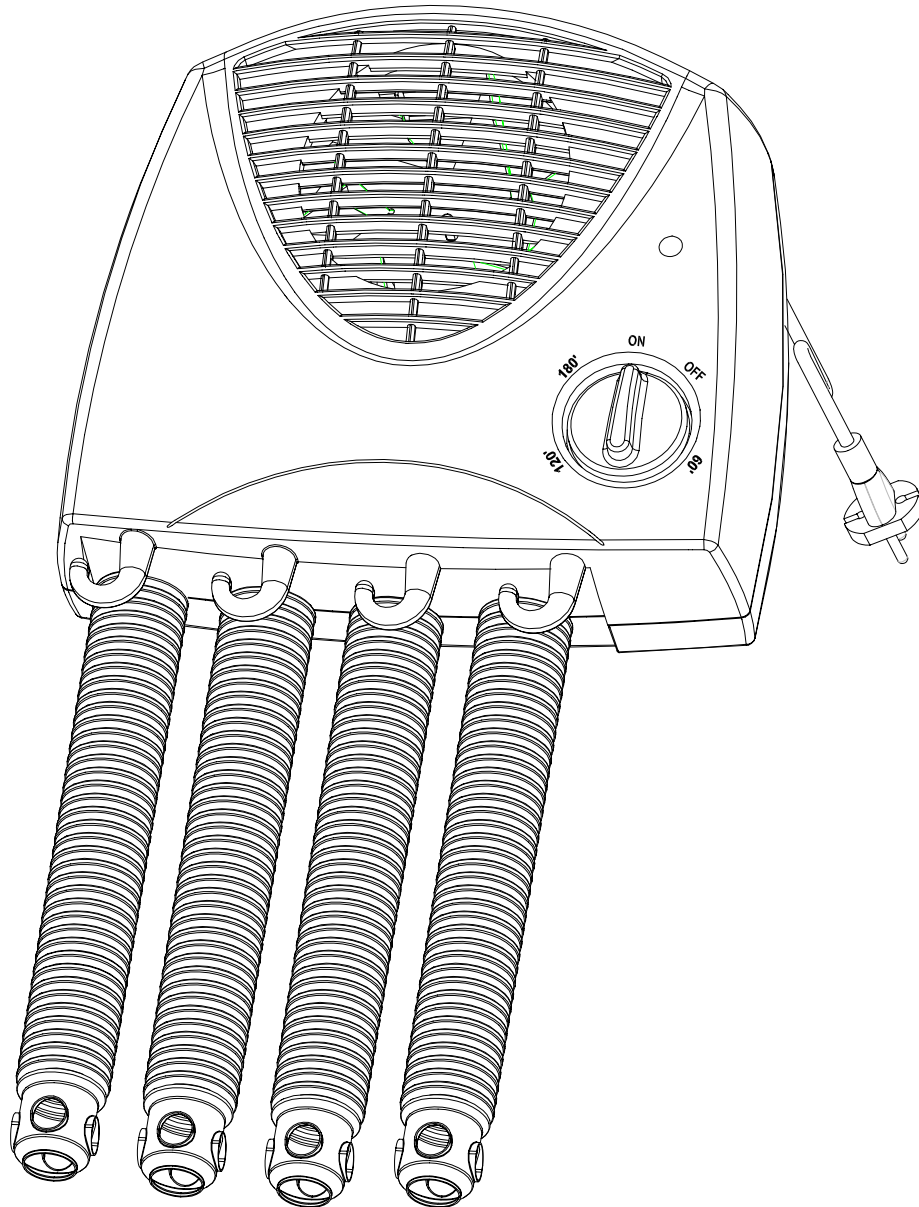


SHOE DRYER

Model: 32A004


Instruction Manual



- Thank you very much for your purchase our Shoe Dryer.
- Please read this instruction Manual carefully and keep it for future use.

IMPORTANT INSTRUCTIONS

When using electrical appliances, basic precautions should always be followed to reduce the risk of fire, electrical shock, burns, and other injury, including the following:

1. Study this instruction manual carefully before using the product.
2. The device is intended exclusively for private and not for commercial use.
3. Remove the unit from its packaging and check to make sure it is in good condition before using.
4. Do not let children play with parts of the packing (such as plastic bags).
5. Check the household voltage to ensure it matches the appliance's rated specification.
6. Check the power cord and plug carefully before use to make sure that they are not damaged.
7. Do not locate the appliance immediately below a socket outlet.
8.  Means "Do not cover". In order to avoid over heating, do not cover the appliance.
9. Before unplugging the power cord, be sure to turn off the power. When touching the unit, be sure your hands are dry to prevent from electric shock.
10. Do not use near or point the shoe dryer to furniture, curtains or other inflammable objects.
11. Do not block air intakes or exhaust in any manner to prevent a possible fire.
12. Do not use or leave the shoe dryer unattended when children, old or disabled people are present.
13. Always unplug the shoe dryer when not in use.
14. Prevent water from getting into the housing of the shoe dryer during operation or in storage. Always store in dry area with no moisture.
15. Do not use in places where there are gas, paint or other inflammable goods and objects.
16. This shoe dryer is not intended for use in bathrooms, laundry areas and similar indoor locations. Never locate the dryer where it may fall into a bathtub or other bodies of water.
17. Do not run the cord under carpeting. Do not cover cord with throw rugs, runners, or the like. Arrange cord away from traffic area and where it will not be tripped over.
18. Do not use on soft surfaces, like a bed, where openings may become blocked.
19. Use this shoe dryer only as described in this manual. Any other uses not recommended by the manufacturer may cause fire, electric shock, or injury to persons and may void warranty.
20. Avoid the use of an extension cord because the extension cord may overheat and cause a risk of fire.
21. Do not drag and take down the vent pipes. Do not use the shoe dryer without the vent pipes.
22. Do not use outdoors.
23. Type Y attachment.

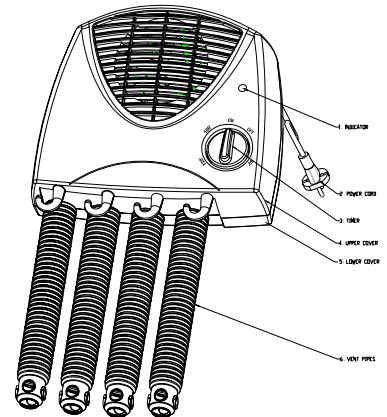
CAUTIONS

- This appliance is not a toy.
- This appliance is for household use only.
- Do not immerse the unit in the water.
- To avoid the risk of fire or electric shock do not remove the housing by you.

- Any servicing other than an authorized service representative should perform cleaning and user maintenance.
- If the supply cord is damaged, it must be replaced by a special cord or assembly available from the manufacturer or its services agent.
- Repair should be done by an authorized service personal only.

PARTS DESCRIPTION

- 1) Indicator
- 2) Power Cord
- 3) Timer
- 4) Upper Cover
- 5) Lower Cover
- 6) Vent Pipes



OPERATION

- Before use the appliance place it on stable flat surface. Make sure the timer is in the "OFF" position and plug the appliance in.
- Take the vent pipes into your shoes, and then turn on the 3 hour timer.

SECURITY SYSTEM

- The appliance has a security system, which automatically switches the appliance off, when it is overheating. And then manual restarts it once it has cooled.
- If you still notice the same defect above mentioned remove the plug from socket and have the convector serviced by authorized service personnel only.

MAINTENANCE

- The shoe dryer only needs regular cleaning on the outside.
- Before you clean the unit, turn the switch to off "OFF". Remove the plug from socket and wait until the shoe dryer cool down.
- Use a damp cloth to wipe the fan heater housing.
- Do not use water, detergents, abrasive cleaning liquids or chemical agents (alcohol, gasoline etc.) to clean the unit.

INSTALL THE APPLIANCE ON THE WALL

- Please put the paper in the place on the wall where you prefer and drill two holes respective the distance between the two holes shown in the paper. (As Fig.1)
ATTENTION: TAKE AWAY THE PAPER AFTER DRILLED.
- Please stuff up two plug screw in the holes and screw down the screws. (As Fig.2)
- Please hang the shoe dryer on the wall, with the two holes on the bottom of it corresponding to the screws, And pull the shoe dryer. (As Fig.3)
- Move the shoe dryer to the right until unmoved, then move it down. (As Fig.4)
- The appliance shall not be installed higher than 0.6m

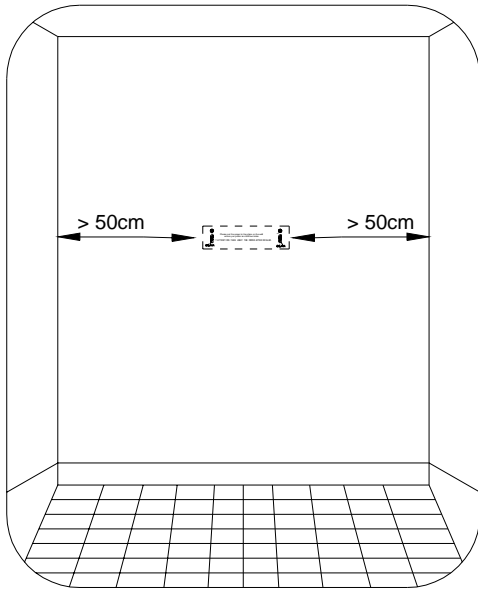


Fig. 1

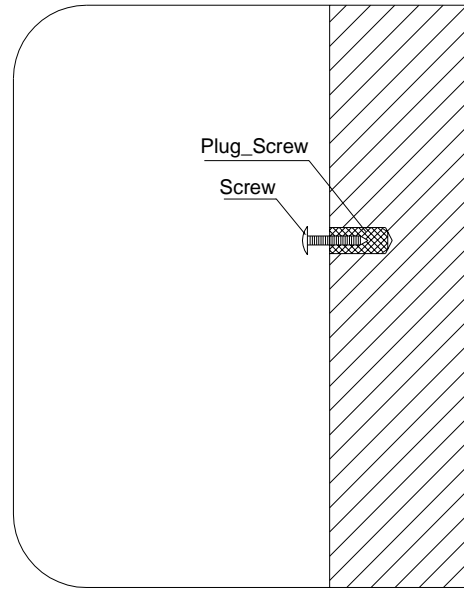


Fig. 2

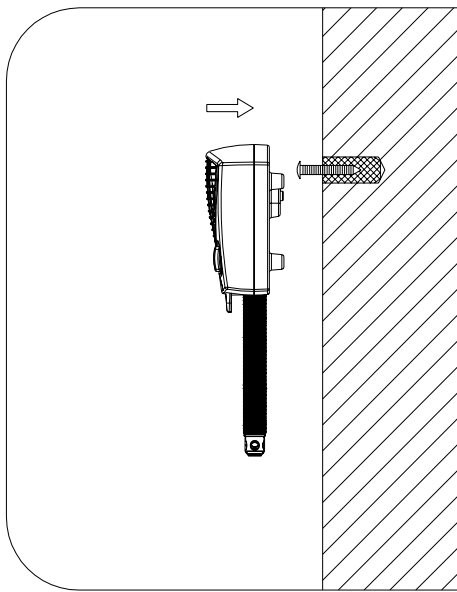


Fig. 3

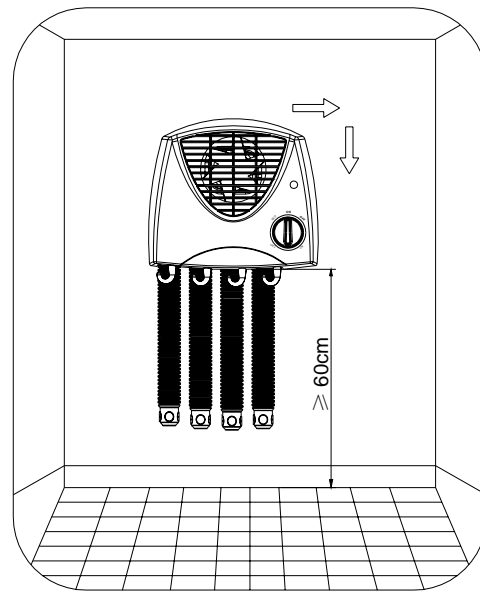


Fig. 4

SPECIFICATIONS

- Power supply voltage: AC.220-240V
- Power consumption: 300W
- Insulation class: II
- Net Weight: 1.15kg
- Dimensions: 230(L) X233 (W) X108 (H) mm

